

**MAXWORK**<sup>®</sup>  
STAINLESS STEEL HYDRAULIC CONNECTORS

**TEKNİK  
KATALOG**  
2026

**PASLANMAZ HİDROLİK BAĞLANTI ELEMANLARI**  
STAINLESS STEEL HYDRAULIC CONNECTORS



Maxwork Hydraulic, Stainless Steel Hydraulic Connectors

Dudullu OSB, Perpim Sanayi Sitesi  
A-99, İstanbul  
maxworkhydraulic.com  
info@maxworkhydraulic.com

# Hakkımızda

## About Us

Maxwork Hydraulic, hidrolik sektöründe 25 yılı aşkın deneyimiyle, yüksek kaliteli paslanmaz çelikten üretilen hidrolik hortum bağlantı elemanları ve sıkma fittings çözümleri konusunda uzmanlaşmıştır. Mühendislik mükemmeliyetini esas alan yaklaşımımızla, zorlu endüstriyel uygulamalar için dayanıklı ve yüksek performanslı ürünler sunmaktayız.

### *Prensiplerimiz*

- Hassasiyet odaklı tasarım ve üretim
- Farklı uygulama ihtiyaçlarına yönelik kapsamlı ürün yelpazesi
- Uluslararası standartlar ve regülasyonlara tam uyum
- Titiz ve sürdürülebilir kalite kontrol süreçleri
- Yüksek ürün bulunabilirliği
- Hızlı ve güvenilir teslimat

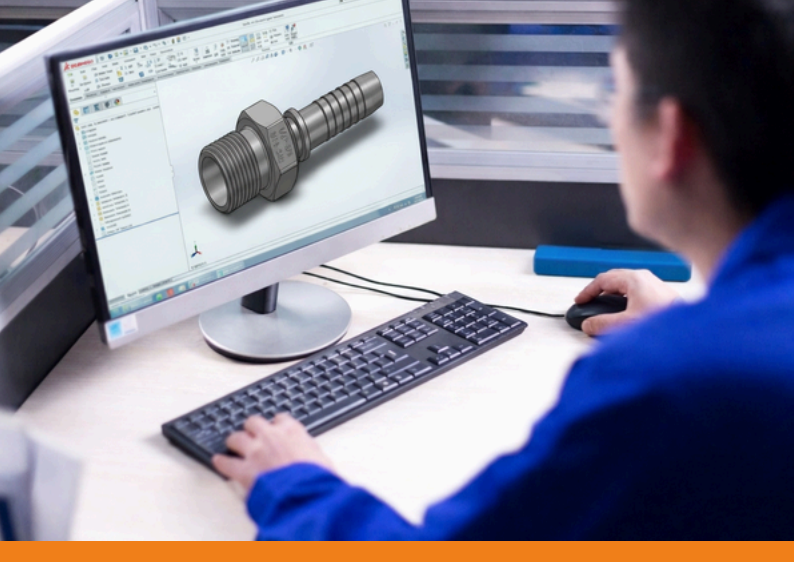
Maxwork Hydraulic, with over 25 years of experience in the hydraulic industry, specializes in hydraulic hose fittings and compression solutions manufactured from high-quality stainless steel. With a strong commitment to engineering excellence, we provide durable and high-performance products designed for demanding industrial applications.

### *Our Principles*

- Precision-focused design and manufacturing
- A comprehensive product range for diverse application needs
- Full compliance with international standards and regulations
- Strict and sustainable quality control processes
- High product availability
- Fast and reliable delivery

# Ar-Ge

## R&D



Maxwork olarak, üretimin temelini güçlü bir mühendislik altyapısı ve sürekli gelişen Ar-Ge çalışmaları oluşturur. Deneyimli mühendis kadromuz, müşteri ihtiyaçlarını en doğru şekilde analiz ederek yüksek performanslı, güvenilir ve yenilikçi çözümler geliştirir. Tasarım süreçlerimizde dayanıklılık, verimlilik ve uluslararası standartlara uyum ön planda tutulur.

# Üretim

## Production

Geniş ve modern CNC makine parkurumuz sayesinde yüksek hassasiyet gerektiren üretimleri kusursuz bir şekilde gerçekleştiriyoruz. İleri üretim teknolojileri ile donatılmış tesisimizde, her bir ürün titizlikle işlenir ve maksimum verimlilikle üretilir. Esnek üretim kabiliyetimiz sayesinde farklı sektörlerin ihtiyaçlarına hızlı ve etkili çözümler sunarız.



# Kalite

Quality



Kalite, Maxwork Hydraulic'in vazgeçilmez önceliklerinden biridir. Üretimin her aşamasında uygulanan detaylı kalite kontrol süreçleri sayesinde ürünlerimizin uluslararası standartlara uygunluğu garanti altına alınır. Gelişmiş ölçüm ve test ekipmanlarımız ile her ürün, sevkiyat öncesinde titizlikle kontrol edilir ve müşterilerimize yüksek güvenilirlik sunulur.

## Hızlı Temin

Fast Supply

Müşteri memnuniyetini en üst seviyede tutmak amacıyla hızlı temin ve etkin lojistik süreçleri sunuyoruz. Geniş stok kapasitemiz ve optimize edilmiş sevkiyat ağımız sayesinde taleplere en kısa sürede yanıt verir, ürünlerimizi güvenli ve zamanında teslim ederiz. İş ortaklarımız için süreklilik ve güvenilirlik sağlamak en önemli önceliklerimizdendir.





# İÇİNDEKİLER

## TABLE OF CONTENTS

SAYFA / PAGE NO.



HORTUM SOKETLERİ / HOSE FERRULES

1



DÜZ HORTUM RAKORLARI / STRAIGHT HOSE FITTINGS

2



90° HORTUM RAKORLARI / 90° HOSE FITTINGS

3



45° HORTUM RAKORLARI / 45° HOSE FITTINGS

4



METRİK DİŞ SOMUNLAR / METRIC THREAD NUTS

5



METRİK NİPELLER / METRIC NIPPLES

6



BSP-METRİK RAKORLAR / BSP-METRIC STRAIGHT ADAPTERS

7



METRİK DİRSEKLER / METRIC ELBOW ADAPTERS

8



NPT-METRİK DİRSEKLER / NPT-METRIC ELBOW ADAPTERS

9



METRİK TERS DİRSEKLER / METRIC ADJUSTABLE ELBOW ADAPTERS

10



METRİK TEE ADAPTÖRLER / METRIC TEE ADAPTERS

11



METRIC TEE ORTA BACAKLAR / METRIC ADJUSTABLE BRANCH TEE ADAPTERS

12



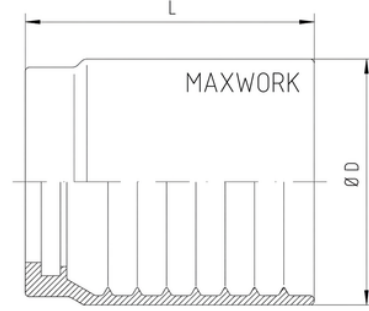
METRIC TEE YAN BACAKLAR / METRIC ADJUSTABLE RUN TEE ADAPTERS

13



**PASLANMAZ R1 / R2 TİP HORTUM SOKETİ - DIN EN 853 (1SN / 2SN)**

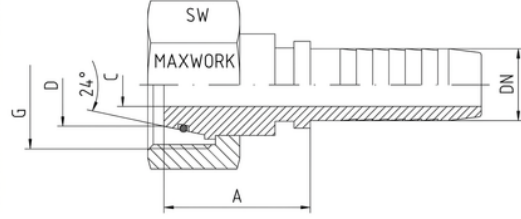
Metric Swivel Nut O-Ring Straight Hose Fitting - L Type



HORTUM HOSE	İÇ ÇAP BORE	ÖLÇÜLER		SİPARİŞ KODU ORDER CODE	FİYAT PRICE
<i>DN</i>	<i>inch</i>	<i>D</i>	<i>L</i>		
06	1/4"	20	28	MW-HFR12-06	
08	5/16"	22	29	MW-HFR12-08	
10	3/8"	26	32	MW-HFR12-10	
12	1/2"	30	36	MW-HFR12-12	
16	5/8"	32	40	MW-HFR12-16	
19	3/4"	38	44	MW-HFR12-19	
25	1"	45	50	MW-HFR12-25	

**PASLANMAZ METRİK DÖNER SOMUNLU O-RINGLİ DÜZ HORTUM RAKORU  
- L TİPİ**

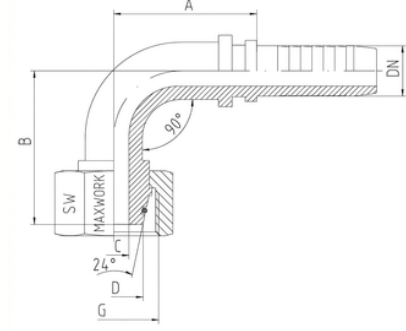
Metric Swivel Nut O-Ring Straight Hose Fitting - L Type



HORTUM HOSE		BORU DIŞ ÇAPI TUBE O.D.	DIŞ ÖLÇÜSÜ THREAD	ÖLÇÜLER			SİPARİŞ KODU ORDER CODE	FİYAT PRICE
<i>inch</i>	<i>DN</i>	<i>D</i>	<i>G</i>	<i>A</i>	<i>C</i>	<i>SW</i>		
1/4"	6	6L	M12 x 1,5	21,0	4,0	14	MW-HCLM-0606	
1/4"	6	8L	M14 x 1,5	24,5	4,0	17	MW-HCLM-0806	
1/4"	6	10L	M16 x 1,5	27,0	4,0	19	MW-HCLM-1006	
1/4"	6	12L	M18 x 1,5	28,0	4,0	22	MW-HCLM-1206	
1/4"	6	15L	M22 x 1,5	28,5	4,0	27	MW-HCLM-1506	
3/8"	10	8L	M14 x 1,5	29,0	4,5	17	MW-HCLM-0810	
3/8"	10	10L	M16 x 1,5	26,0	7,0	19	MW-HCLM-1010	
3/8"	10	12L	M18 x 1,5	26,0	7,0	22	MW-HCLM-1210	
3/8"	10	15L	M22 x 1,5	26,0	7,0	27	MW-HCLM-1510	
3/8"	10	18L	M26 x 1,5	24,0	7,0	32	MW-HCLM-1810	
1/2"	12	12L	M18 x 1,5	26,0	8,0	22	MW-HCLM-1212	
1/2"	12	15L	M22 x 1,5	27,0	9,5	27	MW-HCLM-1512	
1/2"	12	18L	M26 x 1,5	28,0	9,5	32	MW-HCLM-1812	
1/2"	12	22L	M30 x 2	32,5	9,5	36	MW-HCLM-2212	

**PASLANMAZ METRİK DÖNER SOMUNLU O-RINGLİ 90° HORTUM RAKORU  
- L TİPİ**

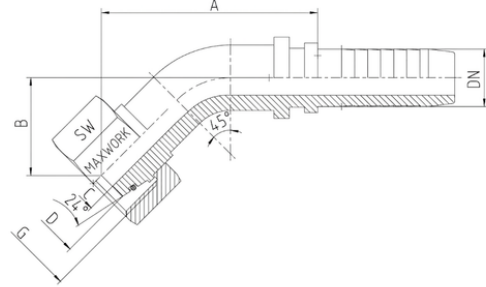
Metric Swivel Nut O-Ring 90° Hose Fitting - Type L



HORTUM HOSE		BORU DIŞ ÇAPI TUBE O.D.	DIŞ ÖLÇÜSÜ THREAD	ÖLÇÜLER				SİPARİŞ KODU ORDER CODE	FİYAT PRICE
inch	DN	D	G	A	B	C	SW		
1/4"	6	6L	M12 x 1,5	28,0	28,5	4,0	14	MW-HCLM90-0606	
1/4"	6	8L	M14 x 1,5	28,5	29,5	4,0	17	MW-HCLM90-0806	
1/4"	6	10L	M16 x 1,5	28,5	29,5	4,0	19	MW-HCLM90-1006	
1/4"	6	12L	M18 x 1,5	29,0	33,5	4,0	22	MW-HCLM90-1206	
3/8"	10	10L	M16 x 1,5	35,0	37,5	7,0	19	MW-HCLM90-1010	
3/8"	10	12L	M18 x 1,5	34,0	38,0	7,0	22	MW-HCLM90-1210	
3/8"	10	15L	M22 x 1,5	42,5	41,5	7,0	27	MW-HCLM90-1510	
1/2"	12	15L	M22 x 1,5	44,0	43,0	9,5	27	MW-HCLM90-1512	
1/2"	12	18L	M26 x 1,5	46,5	51	9,5	32	MW-HCLM90-1812	

**PASLANMAZ METRİK DÖNER SOMUNLU O-RINGLİ 45° HORTUM RAKORU  
- L TİPİ**

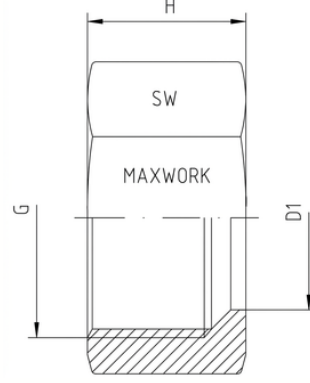
Metric Swivel Nut O-Ring 45° Hose Fitting - Type L



HORTUM HOSE		BORU DIŞ ÇAPI TUBE O.D.	DIŞ ÖLÇÜSÜ THREAD	ÖLÇÜLER				SİPARİŞ KODU ORDER CODE	FİYAT PRICE
inch	DN	D	G	A	B	C	SW		
1/4"	6	6L	M12 x 1,5	37,0	15,0	4,0	14	MW-HCLM45-0606	
1/4"	6	8L	M14 x 1,5	38,5	16,5	4,0	17	MW-HCLM45-0806	
1/4"	6	10L	M16 x 1,5	38,5	16,5	4,0	19	MW-HCLM45-1006	
1/4"	6	12L	M18 x 1,5	42,0	19,5	4,0	22	MW-HCLM45-1206	
3/8"	10	10L	M16 x 1,5	45,5	20	7,0	19	MW-HCLM45-1010	
3/8"	10	12L	M18 x 1,5	43,5	18,5	7,0	22	MW-HCLM45-1210	
3/8"	10	15L	M22 x 1,5	53,5	21,5	7,0	27	MW-HCLM45-1510	
1/2"	12	12L	M18 x 1,5	62,5	27,5	8,5	22	MW-HCLM45-1212	
1/2"	12	15L	M22 x 1,5	54,5	20,5	9,5	27	MW-HCLM45-1512	
1/2"	12	18L	M26 x 1,5	60,5	23,5	9,0	32	MW-HCLM45-1812	

## PASLANMAZ METRİK DİŞ SOMUNLAR - L & S TİPİ

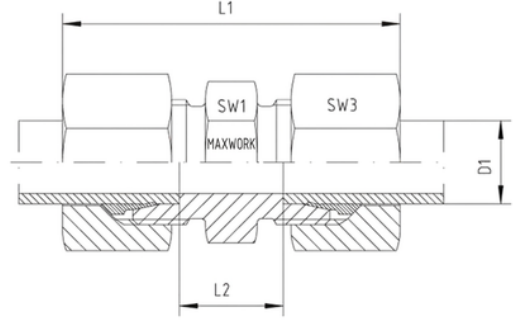
Stainless Metric Thread Nuts - Type L & S



TİP Type	D1	DİŞ ÖLÇÜSÜ THREAD	ÖLÇÜLER		SİPARİŞ KODU ORDER CODE	FİYAT PRICE
			G	H		
L	6	M12 x 1,5	14,5	14	MW-MNL-06	
L	8	M14 x 1,5	14,5	17	MW-MNL-08	
L	10	M16 x 1,5	15,5	19	MW-MNL-10	
L	12	M18 x 1,5	15,5	22	MW-MNL-12	
L	15	M22 x 1,5	17,0	27	MW-MNL-15	
L	18	M26 x 1,5	18,0	32	MW-MNL-18	
L	22	M30 x 2	20,0	36	MW-MNL-22	

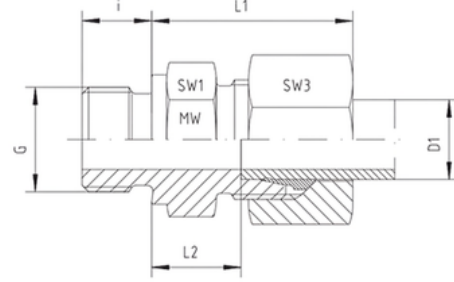
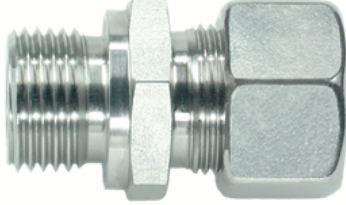
TİP Type	D1	DİŞ ÖLÇÜSÜ THREAD	ÖLÇÜLER		SİPARİŞ KODU ORDER CODE	FİYAT PRICE
			G	H		
S	6	M14 x 1,5	16,5	17	MW-MNS-06	
S	8	M16 x 1,5	16,5	19	MW-MNS-08	
S	10	M18 x 1,5	17,5	22	MW-MNS-10	
S	12	M20 x 1,5	17,5	24	MW-MNS-12	
S	14	M22 x 1,5	20,5	27	MW-MNS-14	
S	16	M24 x 1,5	20,5	30	MW-MNS-16	
S	20	M30 x 2	24	36	MW-MNS-20	

**PASLANMAZ STANDART DÜZ METRİK NİPEL - L TİPİ**  
Stainless Standart-Straight Metric Nipple - Type L



BORU DIŞ ÇAPI Tube O.D.	ÖLÇÜLER				SİPARİŞ KODU ORDER CODE	FİYAT PRICE	SİPARİŞ KODU ORDER CODE	FİYAT PRICE
<i>D1</i>	<i>L1</i>	<i>L2</i>	<i>SW1</i>	<i>SW3</i>	<b>TAKIM / GROUP</b>		<b>GÖVDE / BODY</b>	
6	44,0	10,0	12	14	MW-NPLM-06		MW-NPLM1-06	
8	45,0	11,0	14	17	MW-NPLM-08		MW-NPLM1-08	
10	48,0	13,0	17	19	MW-NPLM-10		MW-NPLM1-10	
12	49,0	14,0	19	22	MW-NPLM-12		MW-NPLM1-12	
15	54,0	16,0	24	27	MW-NPLM-15		MW-NPLM1-15	
18	56	16,0	27	32	MW-NPLM-18		MW-NPLM1-18	
22	63,0	20,0	32	36	MW-NPLM-22		MW-NPLM1-22	

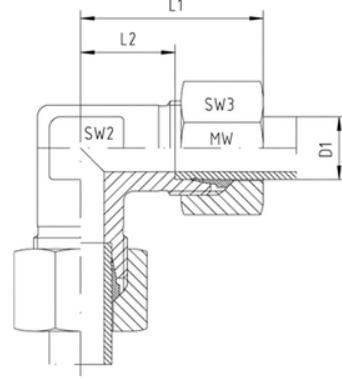
**PASLANMAZ BSP-METRİK STANDART RAKOR - L TİPİ**  
Stainless BSP-METRIC Standard Male Adapter - Type L



ÖLÇÜ Size	BORU DIŞ ÇAPI Tube O.D.	DIŞ ÖLÇÜSÜ Thread	ÖLÇÜLER					SİPARİŞ KODU ORDER CODE	FİYAT PRICE	SİPARİŞ KODU ORDER CODE	FİYAT PRICE
			L1	L2	i	SW1	SW3	TAKIM / GROUP	GÖVDE / BODY		
1/4"-6L	6	1/4"	44,0	10,0	12,0	12	14	MW-NPLBM-1406		MW-NPLBM1-1406	
1/4"-8L	8	1/4"	45,0	11,0	12,0	14	17	MW-NPLBM-1408		MW-NPLBM1-1408	
1/4"-10L	10	1/4"	48,0	13,0	12,0	17	19	MW-NPLBM-1410		MW-NPLBM1-1410	
1/4"-12L	12	1/4"	49,0	14,0	12,0	19	22	MW-NPLBM-1412		MW-NPLBM1-1412	
1/4"-15L	15	1/4"	54,0	16,0	12,0	24	27	MW-NPLBM-1415		MW-NPLBM1-1415	
3/8"-8L	8	3/8"	56,0	16,0	12,0	27	32	MW-NPLBM-3808		MW-NPLBM1-3808	
3/8"-10L	10	3/8"	63,0	20,0	12,0	32	36	MW-NPLBM-3810		MW-NPLBM1-3810	
3/8"-12L	12	3/8"	27,0	12,5	12,0	22	22	MW-NPLBM-3812		MW-NPLBM1-3812	
3/8"-15L	15	3/8"	31,0	13,5	12,0	24	27	MW-NPLBM-3815		MW-NPLBM1-3815	
3/8"-18L	18	3/8"	31,0	12,5	12,0	27	32	MW-NPLBM-3818		MW-NPLBM1-3818	
1/2"-8L	8	1/2"	28,5	13,0	14,0	27	17	MW-NPLBM-1208		MW-NPLBM1-1208	
1/2"-10L	10	1/2"	32,5	13,0	14,0	27	19	MW-NPLBM-1210		MW-NPLBM1-1210	
1/2"-12L	12	1/2"	31,0	13,0	14,0	27	22	MW-NPLBM-1212		MW-NPLBM1-1212	
1/2"-15L	15	1/2"	29,0	14,0	14,0	27	27	MW-NPLBM-1215		MW-NPLBM1-1215	
1/2"-18L	18	1/2"	31,0	14,5	14,0	27	32	MW-NPLBM-1218		MW-NPLBM1-1218	
1/2"-22L	22	1/2"	37,0	16,5	14,0	32	36	MW-NPLBM-1222		MW-NPLBM1-1222	

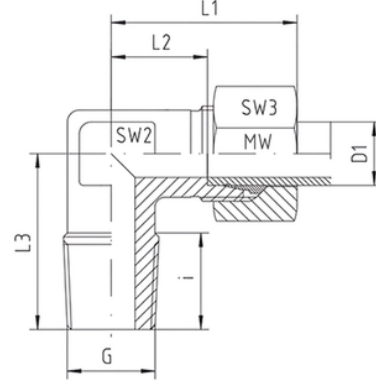
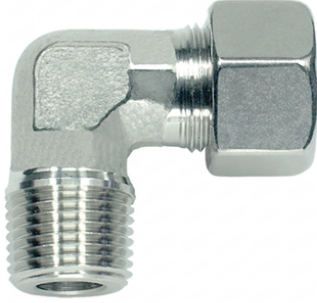
## PASLANMAZ METRİK DİRSEK - L TİPİ

Stainless METRIC Elbow Adapters - Type L



BORU DIŞ ÇAPI Tube O.D.	ÖLÇÜLER				SİPARİŞ KODU ORDER CODE	FİYAT PRICE	SİPARİŞ KODU ORDER CODE	FİYAT PRICE
<i>D1</i>	<i>L1</i>	<i>L2</i>	<i>SW1</i>	<i>SW3</i>	<b>TAKIM / GROUP</b>		<b>GÖVDE / BODY</b>	
6	27,0	12,0	12	14	MW-ELLM-06		MW-ELLM1-06	
8	29,0	14,0	12	17	MW-ELLM-08		MW-ELLM1-08	
10	30,0	15,0	14	19	MW-ELLM-10		MW-ELLM1-10	
12	32,0	17,0	17	22	MW-ELLM-12		MW-ELLM1-12	
15	36,0	21,0	19	27	MW-ELLM-15		MW-ELLM1-15	
18	40,0	23,5	24	32	MW-ELLM-18		MW-ELLM1-18	
22	44,0	27,5	27	36	MW-ELLM-22		MW-ELLM1-22	

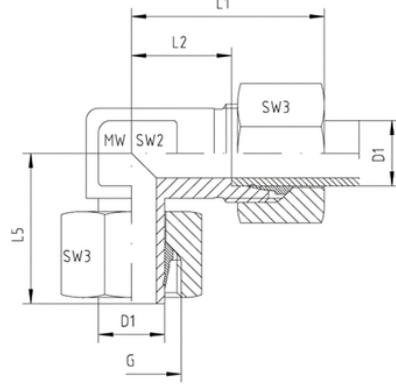
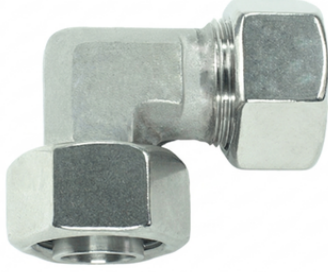
**PASLANMAZ NPT-METRİK DİRSEK - L TİPİ**  
Stainless NPT-METRIC Elbow Adapters - Type L



ÖLÇÜ Size	BORU DIŞ ÇAPI Tube O.D.	DIŞ ÖLÇÜSÜ Thread	ÖLÇÜLER						SİPARİŞ KODU ORDER CODE	FIYAT PRICE	SİPARİŞ KODU ORDER CODE	FIYAT PRICE
	D1	NPT	L1	L2	L3	i	SW2	SW3	TAKIM / GROUP	GÖVDE / BODY		
1/4"-6L	6	1/4"	29,0	14,0	26,0	15,0	12	14	MW-ELLNM-1406	MW-ELLNM1-1406		
1/4"-8L	8	1/4"	29,0	14,0	26,0	15,0	12	17	MW-ELLNM-1408	MW-ELLNM1-1408		
1/4"-10L	10	1/4"	30,0	15,0	27,0	15,0	14	19	MW-ELLNM-1410	MW-ELLNM1-1410		
1/4"-12L	12	1/4"	32,0	17,0	28,0	15,0	17	22	MW-ELLNM-1412	MW-ELLNM1-1412		
3/8"-8L	8	3/8"	29,0	14,0	26,0	15,3	14	17	MW-ELLNM-3808	MW-ELLNM1-3808		
3/8"-10L	10	3/8"	32,0	17,0	28,0	15,3	14	19	MW-ELLNM-3810	MW-ELLNM1-3810		
3/8"-12L	12	3/8"	32,0	17,0	28,0	15,3	17	22	MW-ELLNM-3812	MW-ELLNM1-3812		
3/8"-15L	15	3/8"	36,0	21,0	34,0	15,3	19	27	MW-ELLNM-3815	MW-ELLNM1-3815		
3/8"-18L	18	3/8"	40,0	23,5	36,0	15,3	24	32	MW-ELLNM-3818	MW-ELLNM1-3818		
1/2"-8L	8	1/2"	34,5	19,5	30,0	20,0	17	17	MW-ELLNM-1208	MW-ELLNM1-1208		
1/2"-10L	10	1/2"	37,0	21,0	33,0	20,0	17	19	MW-ELLNM-1210	MW-ELLNM1-1210		
1/2"-12L	12	1/2"	36,0	21,0	32,5	20,0	17	22	MW-ELLNM-1212	MW-ELLNM1-1212		
1/2"-15L	15	1/2"	36,0	21,0	34,0	20,0	19	27	MW-ELLNM-1215	MW-ELLNM1-1215		
1/2"-18L	18	1/2"	40,0	23,5	36,0	20,0	24	32	MW-ELLNM-1218	MW-ELLNM1-1218		
1/2"-22L	22	1/2"	44,0	27,5	42,0	20,0	27	36	MW-ELLNM-1222	MW-ELLNM1-1222		

## PASLANMAZ METRİK TERS DİRSEK - L TİPİ

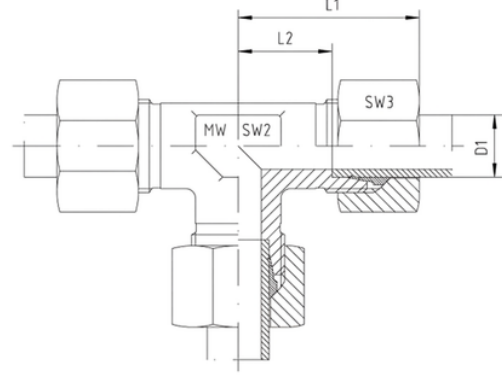
Stainless METRIC Adjustable Elbow Adapters - Type L



BORU DIŞ ÇAPI Tube O.D.	DIŞ ÖLÇÜSÜ Thread	ÖLÇÜLER					SİPARİŞ KODU ORDER CODE	FİYAT PRICE	SİPARİŞ KODU ORDER CODE	FİYAT PRICE
		L1	L2	L5	SW2	SW3				
D1	G	L1	L2	L5	SW2	SW3				
6	M 12 x 1,5	27,0	12,0	26,0	12	14	MW-AELLM-06		MW-AELLM1-06	
8	M 14 x 1,5	29,0	14,0	27,5	12	17	MW-AELLM-08		MW-AELLM1-08	
10	M 16 x 1,5	30,0	15,0	29,0	14	19	MW-AELLM-10		MW-AELLM1-10	
12	M 18 x 1,5	32,0	17,0	29,5	17	22	MW-AELLM-12		MW-AELLM1-12	
15	M 22 x 1,5	36,0	21,0	32,5	19	27	MW-AELLM-15		MW-AELLM1-15	
18	M 26 x 1,5	40,0	23,5	35,5	24	32	MW-AELLM-18		MW-AELLM1-18	
22	M 30 x 2	44,0	27,5	38,5	27	36	MW-AELLM-22		MW-AELLM1-22	

## PASLANMAZ METRİK TEE - L TİPİ

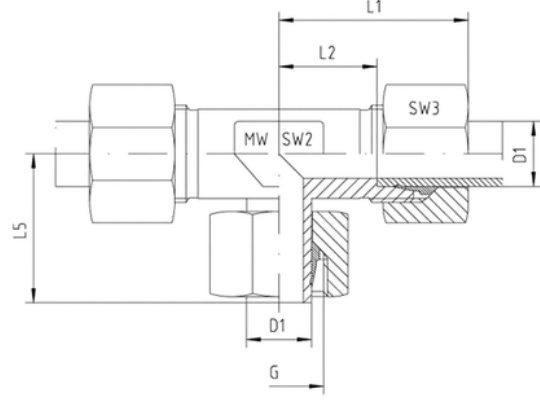
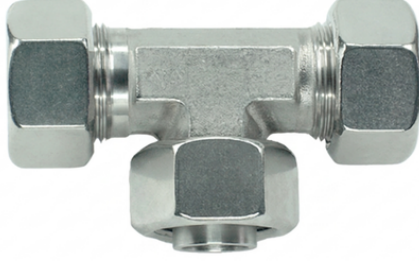
Stainless METRIC Equal Tees Standard Adapters - Type L



BORU DIŞ ÇAPI Tube O.D.	ÖLÇÜLER				SİPARİŞ KODU ORDER CODE	FİYAT PRICE	SİPARİŞ KODU ORDER CODE	FİYAT PRICE
<i>D1</i>	<i>L1</i>	<i>L2</i>	<i>SW2</i>	<i>SW3</i>	<b>TAKIM / GROUP</b>		<b>GÖVDE / BODY</b>	
6	27,0	12,0	12	14	MW-TELM-06		MW-TELM1-06	
8	29,0	14,0	12	17	MW-TELM-08		MW-TELM1-08	
10	30,0	15,0	14	19	MW-TELM-10		MW-TELM1-10	
12	32,0	17,0	17	22	MW-TELM-12		MW-TELM1-12	
15	36,0	21,0	19	27	MW-TELM-15		MW-TELM1-15	
18	40,0	23,5	24	32	MW-TELM-18		MW-TELM1-18	
22	44,0	27,5	27	36	MW-TELM-22		MW-TELM1-22	

## PASLANMAZ METRİK TEE ORTA BACAĞ - L TİPİ

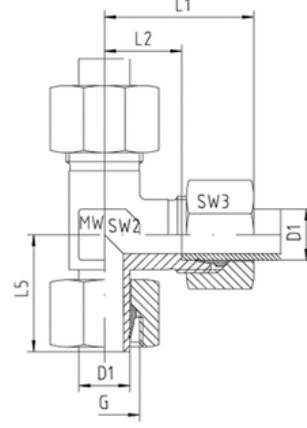
Stainless METRIC Adjustable Branch Tee Adapters - Type L



BORU DIŞ ÇAPI Tube O.D.	DIŞ ÖLÇÜSÜ Thread	ÖLÇÜLER					SİPARİŞ KODU ORDER CODE	FİYAT PRICE	SİPARİŞ KODU ORDER CODE	FİYAT PRICE
		L1	L2	L5	SW2	SW3				
D1	G	L1	L2	L5	SW2	SW3	<b>TAKIM / GROUP</b>		<b>GÖVDE / BODY</b>	
6	M 12 x 1,5	27,0	12,0	26,0	12	14	MW-ABTELM-06		MW-ABTELM1-06	
8	M 14 x 1,5	29,0	14,0	27,5	12	17	MW-ABTELM-08		MW-ABTELM1-08	
10	M 16 x 1,5	30,0	15,0	29,0	14	19	MW-ABTELM-10		MW-ABTELM1-10	
12	M 18 x 1,5	32,0	17,0	29,5	17	22	MW-ABTELM-12		MW-ABTELM1-12	
15	M 22 x 1,5	36,0	21,0	32,5	19	27	MW-ABTELM-15		MW-ABTELM1-15	
18	M 26 x 1,5	40,0	23,5	35,5	24	32	MW-ABTELM-18		MW-ABTELM1-18	
22	M 30 x 2	44,0	27,5	38,5	27	36	MW-ABTELM-22		MW-ABTELM1-22	

## PASLANMAZ METRİK TEE YAN BACAĞ - L TİPİ

Stainless METRIC Adjustable Run Tee Adapters - Type L



BORU DIŞ ÇAPI Tube O.D.	DIŞ ÖLÇÜSÜ Thread	ÖLÇÜLER					SİPARİŞ KODU ORDER CODE	FİYAT PRICE	SİPARİŞ KODU ORDER CODE	FİYAT PRICE
<i>D1</i>	<i>G</i>	<i>L1</i>	<i>L2</i>	<i>L5</i>	<i>SW2</i>	<i>SW3</i>	<b>TAKIM / GROUP</b>		<b>GÖVDE / BODY</b>	
6	M 12 x 1,5	27,0	12,0	26,0	12	14	MW-ARTELM-06		MW-ARTELM1-06	
8	M 14 x 1,5	29,0	14,0	27,5	12	17	MW-ARTELM-08		MW-ARTELM1-08	
10	M 16 x 1,5	30,0	15,0	29,0	14	19	MW-ARTELM-10		MW-ARTELM1-10	
12	M 18 x 1,5	32,0	17,0	29,5	17	22	MW-ARTELM-12		MW-ARTELM1-12	
15	M 22 x 1,5	36,0	21,0	32,5	19	27	MW-ARTELM-15		MW-ARTELM1-15	
18	M 26 x 1,5	40,0	23,5	35,5	24	32	MW-ARTELM-18		MW-ARTELM1-18	
22	M 30 x 2	44,0	27,5	38,5	27	36	MW-ARTELM-22		MW-ARTELM1-22	



*“Right Flow, **Maximum** Work”*

Maxwork Hydraulic, Stainless Steel Hydraulic Connectors

Dudullu OSB, Perpim Sanayi Sitesi  
A-99, İstanbul  
maxworkhydraulic.com  
info@maxworkhydraulic.com

